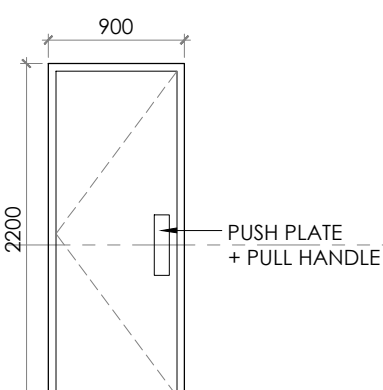
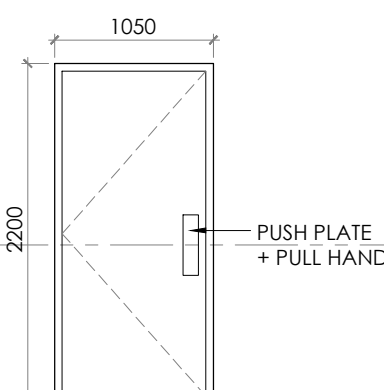
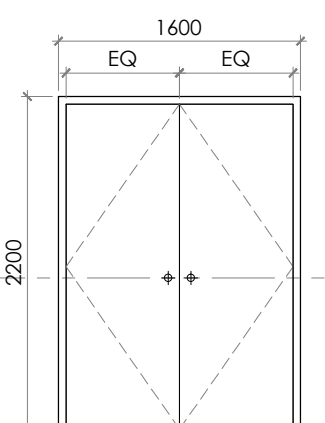
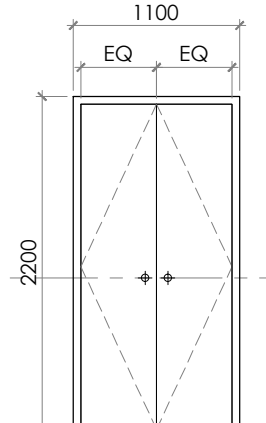
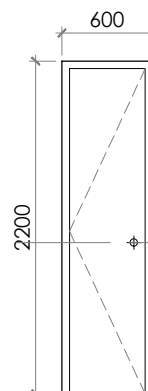
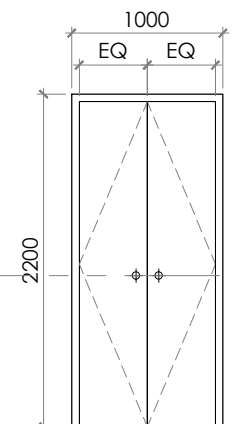
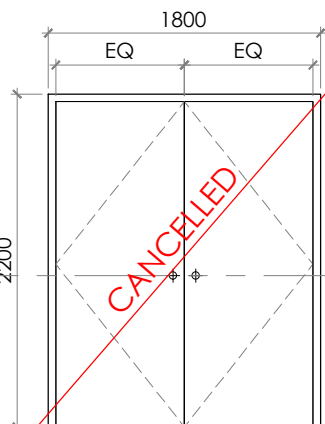
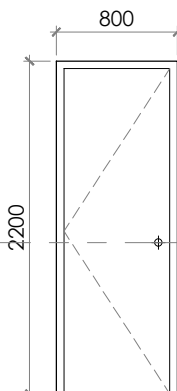
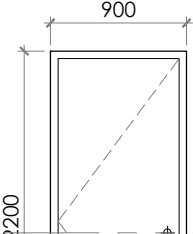
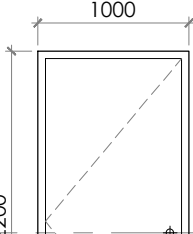


DOOR TYPE	D01	D02	D03	D04
				
LOCATION	1ST, 2ND, 3RD TO 4TH MEZZ. STOREY- MALE/ FEMALE TOILET	1ST, 2ND, 3RD TO 4TH MEZZ. STOREY - HANDICAPPED TOILET	1ST, 2ND TO 4TH STOREY - ELECTRICAL RISER DUCT	1ST, 2ND TO 4TH MEZZ. STOREY - TELEPHONE & A/C RISER DUCT
DESCRIPTION	HARDWOOD FRAME TIMBER FLUSH HINGE DOOR	HARDWOOD FRAME TIMBER FLUSH HINGE DOOR	HARDWOOD FRAME TIMBER FLUSH HINGE DOOR	HARDWOOD FRAME TIMBER FLUSH HINGE DOOR
FINISH	LAMINATE FINISH	LAMINATE FINISH	LAMINATE FINISH	LAMINATE FINISH
LOCKSET	PUSH PLATE + PULL HANDLE	PUSH PLATE + PULL HANDLE	MASTER KEY	MASTER KEY

DOOR TYPE	D05	D06	D07	D08
				
LOCATION	1ST, 2ND TO 4TH MEZZ. STOREY - ELB, WATER & SPRINKLER RISER DUCT	1ST, 2ND TO 4TH MEZZ. STOREY - HR/DR RISER DUCT	2ND TO 4TH MEZZ. STOREY - A/C RISER DUCT	2ND TO 3RD STOREY - SPRINKLER RISER DUCT
DESCRIPTION	HARDWOOD FRAME TIMBER FLUSH HINGE DOOR	HARDWOOD FRAME TIMBER FLUSH HINGE DOOR	HARDWOOD FRAME TIMBER FLUSH HINGE DOOR	HARDWOOD FRAME TIMBER FLUSH HINGE DOOR
FINISH	LAMINATE FINISH	LAMINATE FINISH	LAMINATE FINISH	LAMINATE FINISH
LOCKSET	MASTER KEY	MASTER KEY	MASTER KEY	MASTER KEY

DOOR TYPE	D09	D10		
FFL 1000				
FFL 000				
LOCATION	1ST STOREY - INDUSTRIAL TRAINING	1ST STOREY - MDF ROOM		
DESCRIPTION	HARDWOOD FRAME TIMBER FLUSH HINGE DOOR	HARDWOOD FRAME TIMBER FLUSH HINGE DOOR		
FINISH	LAMINATE FINISH	LAMINATE FINISH		
LOCKSET	DOOR LEVER	DOOR LEVER		

FIRE RATED HEAVY DUTY METAL DOOR

DOOR TYPE	FMD01	FMD02	FMD03	FMD04	FMD05
FFL 1000					
FFL 000					
LOCATION	1ST STOREY - CABLE CHAMBER ROOM	1ST STOREY - TRANSFORMER ROOM	1ST STOREY - TRANSFORMER ROOM	1ST STOREY - SWITCH ROOM	1ST STOREY - CONSUMER SWITCH ROOM
DESCRIPTION	2 HRS FIRE RATED HEAVY DUTY METAL DOOR	2 HRS FIRE RATED HEAVY DUTY METAL DOOR	2 HRS FIRE RATED METAL LOUVER DOOR	2 HRS FIRE RATED HEAVY DUTY METAL DOOR	2 HRS FIRE RATED HEAVY DUTY METAL DOOR
FINISH	-	-	-	-	-
LOCKSET	-	-	-	-	-

FIRE RATED TIMBER DOOR

DOOR TYPE	FD01	FD02	FD03	FD04	FD05	FD06
FFL 1000						
FFL 000						
LOCATION	1ST, 2ND TO 4TH MEZZ. STOREY - STAIR 1, 2 & 3, SMOKE STOP LOBBY	2ND TO 3RD STOREY - LIFT LOBBY 2ND TO 4TH STOREY - GOODS LIFT LOBBY	2ND STOREY - MALE & FEMALE CHANGING ROOM	ROOF LEVEL - STAIRCASE 1	1ST STOREY - FCC	2ND TO 3RD STOREY - LIFT LOBBY
DESCRIPTION	1 HR FIRE RATED TIMBER FLUSH DOOR WITH VIEWING PANEL	1 HR FIRE RATED TIMBER FLUSH DOOR	1 HR FIRE RATED TIMBER FLUSH DOOR	½ HR FIRE RATED TIMBER FLUSH DOOR WITH VIEWING PANEL CLADDED WITH ALUMN. PANEL ON THE EXTERNAL	1 HR FIRE RATED TIMBER FLUSH DOOR WITH VIEWING PANEL	1 HR FIRE RATED TIMBER FLUSH DOOR
FINISH	LAMINATE FINISH WITH ABS EDGING	LAMINATE FINISH WITH ABS EDGING	LAMINATE FINISH WITH ABS EDGING	LAMINATE FINISH WITH ABS EDGING	LAMINATE FINISH WITH ABS EDGING	LAMINATE FINISH WITH ABS EDGING
LOCKSET	-	-	PUSH PLATE + PULL HANDLE	PUSH PLATE + PULL HANDLE	-	-

DOOR TYPE	FRS01
FFL 1000	
FFL 000	
LOCATION	1ST STOREY - TRANSFORMER ROOM
DESCRIPTION	2 HOURS FIRE RATED MOTORIZED ROLLER SHUTTER
FINISH	-
LOCKSET	-

DOOR TYPE	FRS02
FFL 1000	
FFL 000	
LOCATION	1ST STOREY - TRANSFORMER ROOM
DESCRIPTION	2 HOURS FIRE RATED MOTORIZED ROLLER SHUTTER
FINISH	-
LOCKSET	-

